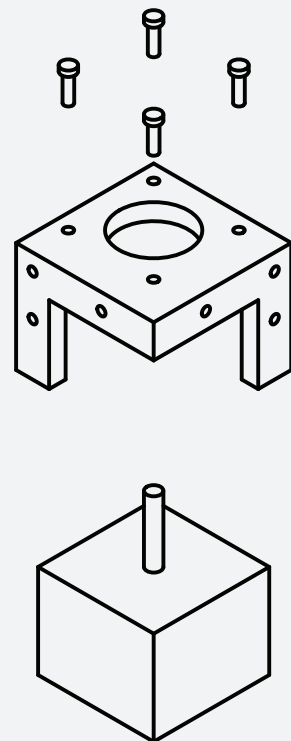


A

1.1

Z Motor Assembly (Right Front)

1

Locate the Hardware bag marked:
Z-Motor Mounts

Locate the **Right Front Motor mount**, the upright mounts should face the outside of the frame.

From the Stepper Motor package, select **1** of the **34mm (short) stepper motors**.

From the Fastener package, select:
4 M3x10 cap screws

X 4

M3 x 10

Z Motor Assembly (Right/Left Front)

A

1.1-1.2

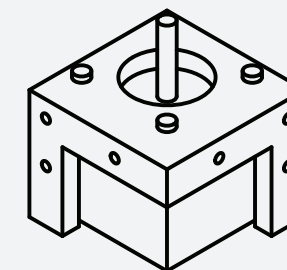
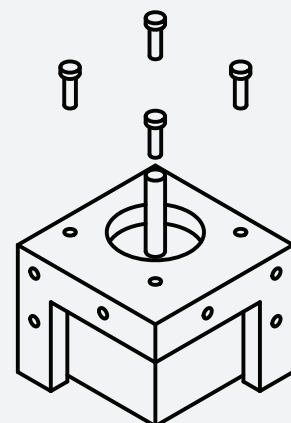
3

Using the **M3 Hex wrench**, screw the **4 M3 x 10 cap screws** through the **Right Front Motor mount** into the stepper motor.

Note: Take care not to over-tighten the screws, or you may break the motor mount.

Congratulations, the Right Front Z Motor Assembly is complete!

N/A

**2**

Insert the Stepper Motor into the base of the **Right Front Motor Mount**

The threads on the face of the Stepper Motor should align with the 4 holes of the Right Front Motor Mount.

N/A

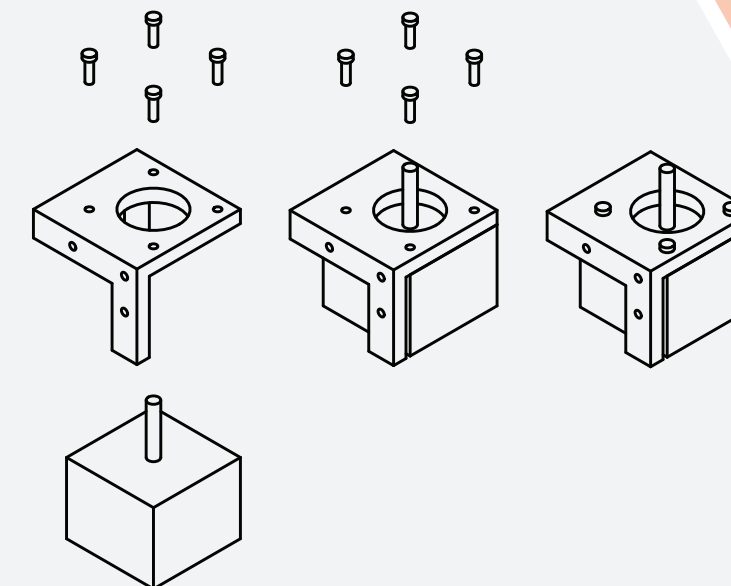
Alert: Left Front Z Motor Assembly

Collect the **Left Front Motor Mount**, the **second 34mm (short) stepper motor** and **4 M3x10 cap screws**.

Repeat Steps 1-3 to complete the **Left Front Z Motor Assembly**

X 4

M3 x 10



2

3